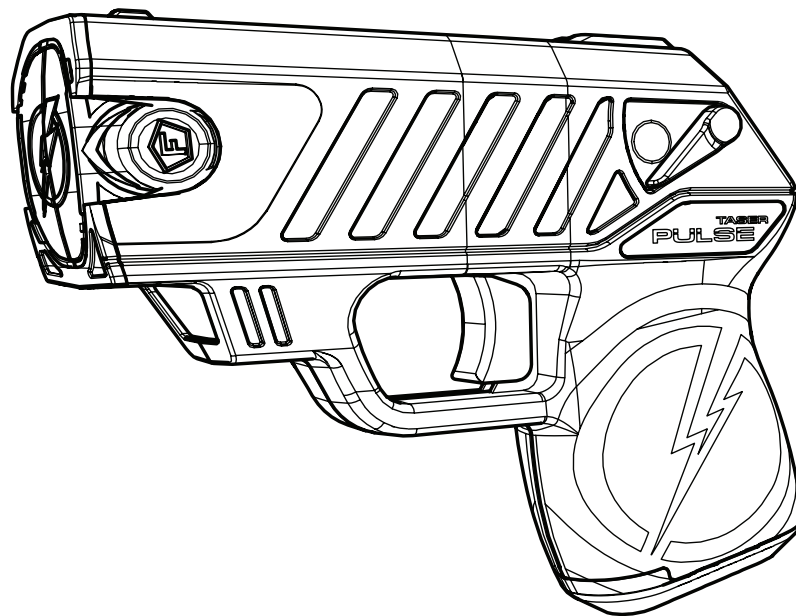




**TASER**  
SELF DEFENSE PRODUCTS

# TASER Pulse CEW User Manual



## **IMPORTANT SAFETY INSTRUCTIONS**

Read all warnings and instructions. Save these instructions.  
The most up-to-date warnings and instructions are available  
at [www.TASER.com](http://www.TASER.com)

MMU0062 Rev: A

# Contents







<b>1</b>	<b>Chapter 1: Warnings</b>
1	Important Safety and Health Information
<b>2</b>	<b>Chapter 2: General Information</b>
2	What Is the TASER Pulse CEW?
2	Neuro Muscular Incapacitation (NMI)
2	Basic Pulse Electrical Theory
<b>4</b>	<b>Chapter 3: TASER Pulse CEW and Cartridge Features</b>
4	Safety Switch
5	Power Supply
6	Trigger Switch
6	Spark Duration
6	Electrodes
7	LASER and LED Flashlight
7	High Visibility Sights
7	Holsters
7	The TASER Pulse Cartridge
<b>8</b>	<b>Avoiding Unintentional Discharge</b>
8	Protective Anti-Felon Identification (AFID) Tags
9	Load the Pulse Cartridges
10	Unloading Cartridges
10	Practicing with the Pulse CEW
<b>11</b>	<b>Aiming and Probe Placement</b>
<b>12</b>	<b>Using the Pulse CEW</b>
<b>12</b>	<b>Deployment Instructions for Self-Defense</b>
13	“Silence is Golden”
13	Potential Causes of Reduced or No Effectiveness

13	What if I Miss?
13	TASER Safe Escape
14	Contact Stun (Drive-Stun) Backup
15	<b>Chapter 4: Maintenance and Care</b>
15	General Concepts
15	Function Test
16	Changing the Battery
18	<b>Chapter 5: Ownership</b>
19	<b>Chapter 6: Additional Items</b>
19	TASER Online Troubleshooting Guide
19	Legality
19	Warranty
19	Warnings

# Chapter 1: Warnings

## Important Safety and Health Information

The safety warnings posted at [www.TASER.com](http://www.TASER.com) are for your protection as well as the safety of others. Disregarding this information could result in death or serious injury.

 <b>WARNING</b>	
  <b>WARNING</b> <b>Conducted Electrical Weapon</b> <ul style="list-style-type: none"><li>• Can temporarily incapacitate target.</li><li>• Can cause death or serious injury.</li><li>• Obey warnings, instructions and all laws.</li><li>• Comply with current training materials and requirements.</li><li>• See <a href="http://www.TASER.com">www.TASER.com</a>.</li></ul>	
	<b>Read and Obey</b> <p>Significant differences exist between different TASER CEW (Conducted Electrical Weapon) models. Do not use or attempt to use any CEW model unless you have read, understood, and are following all current instructions, warnings, and relevant TASER training materials before using TASER CEWs. Failure to do so could increase the risk of death or serious injury to the user or others.</p>
	<b>Obey Applicable Laws</b> <p>Use of CEWs must be legally justified and comply with applicable federal, state, and local laws and regulations.</p>
	<b>Store in a Secure Location</b> <p>CEWs and cartridges are weapons and, as with any weapon, follow safe weapon-handling practices and store your CEW securely. Store CEWs, cartridges, and accessories in secure locations inaccessible to children and other unauthorized persons to prevent inappropriate access or use.</p>

For a complete list of product warnings, go to [www.TASER.com](http://www.TASER.com).

# Chapter 2: General Information

## What Is the TASER Pulse CEW?

The TASER Pulse CEW is a self-defense conducted electrical weapon manufactured by TASER International, Inc. TASER-brand CEWs are designed to use propelled wires or direct contact to conduct energy to affect the sensory and/or motor functions of the nervous system.

The Pulse CEW uses a replaceable cartridge containing compressed nitrogen to deploy two small probes that are attached to the Pulse cartridge by insulated conductive wires with a maximum length of 15 feet (4.6 meters). The Pulse CEW transmits electrical pulses along the wires and into the body, which if used successfully will affect the sensory and motor functions of the peripheral nervous system to immobilize the body.

The Pulse CEW has an estimated useful life of five years.

## Neuro Muscular Incapacitation (NMI)

TASER technology is designed to use electrical pulses similar to those in your body's nervous system to cause stimulation that affects the sensory and motor nerves. Neuro Muscular Incapacitation (NMI) occurs when a CEW is able to cause involuntary stimulation of both the sensory nerves and the motor nerves to render an attacker temporarily unable to control movement. It is not dependent on pain and can be effective on subjects with a high level of pain tolerance.

Previous generations of generic stun guns could primarily affect the sensory nerves only, resulting in pain compliance. An attacker with a very high tolerance to pain (e.g., a drug abuser, person in serious psychological distress, or a trained, focused fighter) may not be affected by the pain or might be able to fight through the pain of a traditional stun gun.

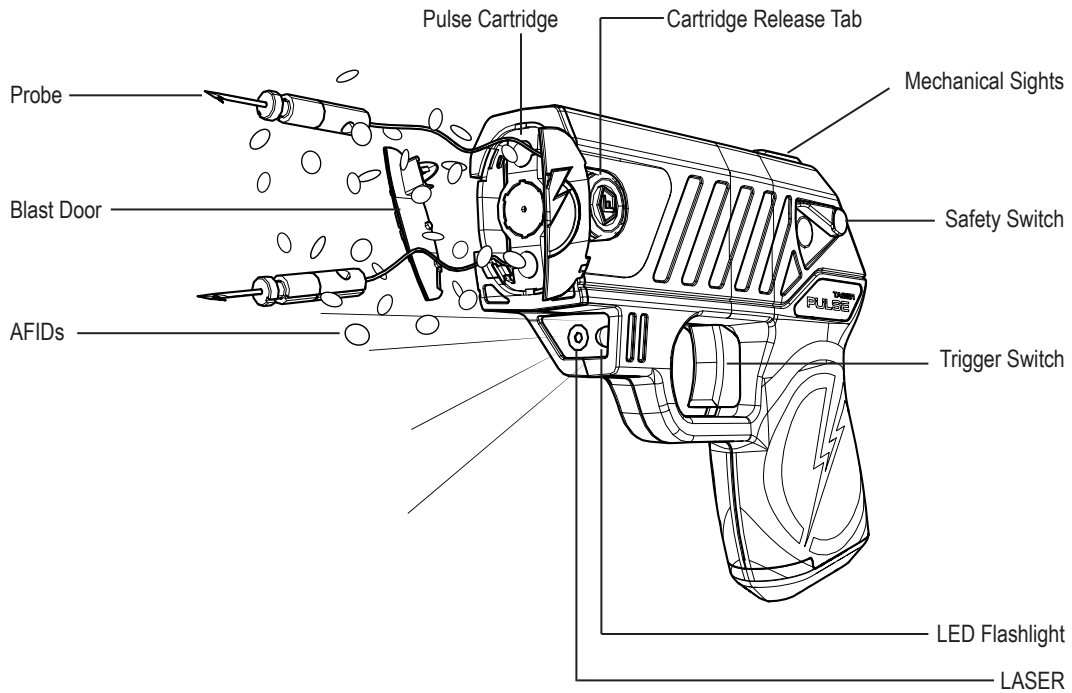
A CEW may cause NMI if probes are within sufficient proximity to complete a circuit, the probes have a sufficient spread, and an adequate circuit is completed and maintained.

## Basic Pulse Electrical Theory

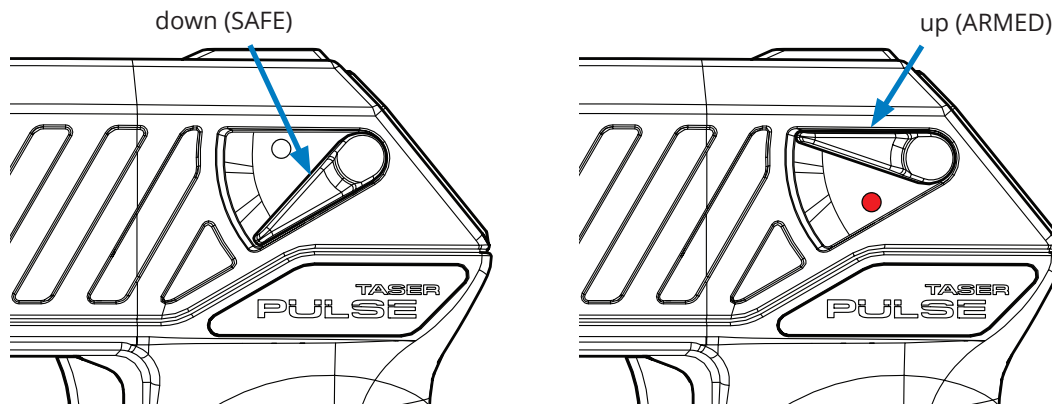
- Electricity must be able to flow between the probes or the electrodes to deliver an electrical charge and will generally follow the path of least resistance.
- The greater the spread between the probes on the target, generally the greater the NMI effectiveness.
- Electricity will generally not pass to others in contact with the subject unless contact is made directly between or on the probes or the wires are touched.
- Exposure to water will not cause electrocution or increase the power to the subject (the electrical charge is fixed inside the TASER CEW, and will not increase significantly even with environmental changes).

- Medical studies have found that modern pacemakers and implanted cardiac defibrillators withstand external electrical defibrillators many orders of magnitude stronger than the TASER conducted energy pulses.

# Chapter 3: TASER Pulse CEW and Cartridge Features



## Safety Switch



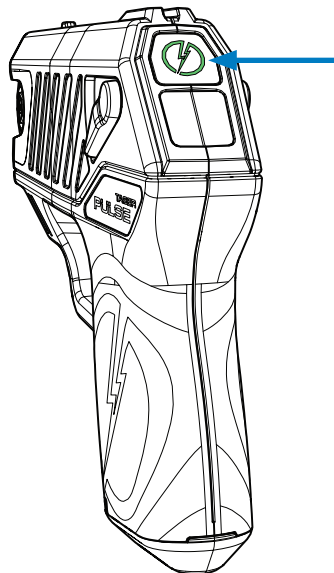
Ambidextrous safety switch can be operated from either side of the CEW.

- Safety switch down (SAFE).
- Safety switch up (ARMED) and ready to deploy.
- If the Pulse CEW's safety switch is left in the up (ARMED) position for more than 20 minutes, the system will shut down to preserve battery life.
- To re-arm the Pulse CEW, shift the safety switch to the down (SAFE) position, then back to the up (ARMED) position

## Power Supply

The Pulse CEW's battery has enough power for approximately 50 30-second firings depending on temperature, environment, and other factors. The battery will deplete faster in colder weather than in warm weather. Left to itself in normal storage conditions, the battery has a two-year life.

The power LED is located below the rear sight. An illuminated LED indicates the trigger switch is ARMED. A green LED indicates a "good" battery.



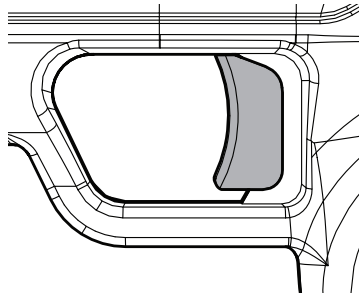
An orange LED indicates a "low" battery. In some conditions, especially low temperature ( $-4^{\circ}\text{F}/-20^{\circ}\text{C}$ ) the LED may display orange even if the battery has sufficient charge left.



## Trigger Switch

Unlike a firearm trigger, the pulse trigger is a momentary electrical switch. The trigger is operational only when the safety switch is in the up (ARMED) position.

**In the event of an unintentional discharge, immediately move the safety switch to the down (SAFE) position to stop the discharge cycle.**

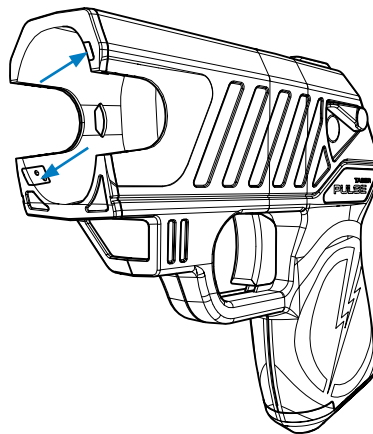


## Spark Duration

When the Pulse CEW is deployed with a single push of the trigger switch, it delivers an approximately 30-second Shaped Pulse energy burst of short-duration electrical pulses. This sparking will continue for 30 seconds unless the safety switch is moved to the down (SAFE) position.

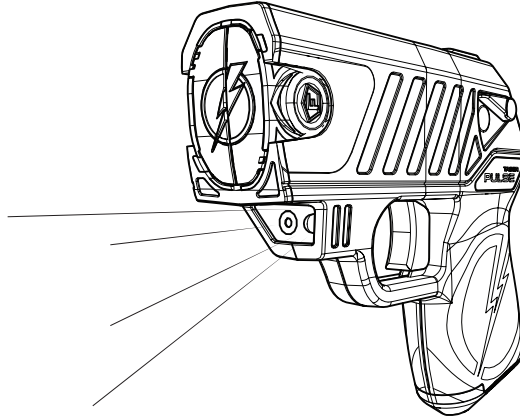
## Electrodes

The front of the Pulse CEW has two metal electrodes. These electrodes direct the charge to the electrodes on the cartridge to initiate deployment of the probes. In addition, the electrodes provide the ability to use the Pulse CEW in a “drive-stun” mode as a traditional stun gun.



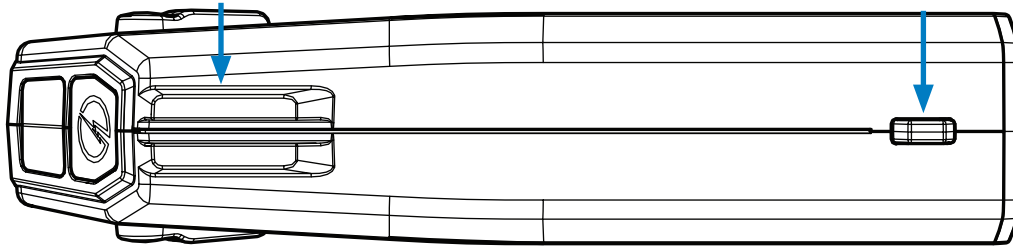
## LASER and LED Flashlight

The LED flashlight illuminates whenever the safety switch is in the up (ARMED) position. In addition, the optional LASER provides assistance for aiming and indicates the approximate orientation of the top probe.



## High Visibility Sights

The mechanical sights on the TASER Pulse CEW provide manual aiming. The mechanical sights are set to coincide with a top probe's trajectory at a 15-foot (4.6-meter) distance.



## Holsters

All Pulse kits come with a soft protective cover, and additional styles may be purchased at [buy.taser.com](http://buy.taser.com).

## The TASER Pulse Cartridge



Fifteen-foot (4.6-meter) cartridges are available for the Pulse CEW at [buy.taser.com](http://buy.taser.com) in both standard (black) and simulation (blue). TASER pulse cartridges have a service life of five years.

Pulse simulation cartridges are identifiable by their blue color. Simulation cartridges are intended for practice only.

**WARNING: DO NOT use a Pulse CEW loaded with a simulation cartridge for self-defense.**

Simulation cartridges use non-conductive nylon line and will not transmit electrical pulses to the probes. A simulation cartridge will have no NMI effect on an attacker.

**Although they are designed not to conduct electricity, simulation cartridges deploy probes and must be handled with the same precautions as other cartridges.**

Use Pulse standard cartridges, which are black in color, for self-defense.

## Avoiding Unintentional Discharge

**Never attempt to open or modify a Pulse cartridge. Tampering with a live Pulse cartridge could cause it to discharge or malfunction, which may result in serious injury.**

Handle all Pulse cartridges with care.

Additionally, the firing sequence for all Pulse cartridges is designed to be initiated by an electrostatic discharge delivered by the TASER CEW. This is an important design and functional element for the Pulse CEW and cartridge. However, an electrostatic discharge can come from many other sources such as rubbing cloth (e.g., nylon jacket liner) across a cartridge in an environment known to create static shocks. When an electrostatic discharge, regardless of the source, contacts the front of a Pulse cartridge, it is possible for the cartridge to discharge (and even to discharge when not inserted into the CEW). Therefore, avoid contact between static electricity and the Pulse cartridge because static electricity can cause unexpected discharge.

Do not hold a Pulse cartridge near the Pulse CEW when discharging the Pulse CEW. If a cartridge is held within two inches (five centimeters) of the CEW when the CEW is discharged, the cartridge may deploy.

Occasionally, cartridge blast doors will be knocked off the front of a cartridge. Because those cartridges cannot be relied upon to discharge, TASER International recommends disposing of these cartridges. TASER CEW operators should not attempt to fire a cartridge with no blast doors on it unless they are facing an immediate threat and do not have the time or option to reload. Attempting to deploy a cartridge with no blast doors could result in a charge being created and held in the wires. Any conductive material that comes into contact with the front of the cartridge, even after the cycle has ended, could draw the charge to the ignition pin and deploy the probes.

### Protective Anti-Felon Identification (AFID) Tags

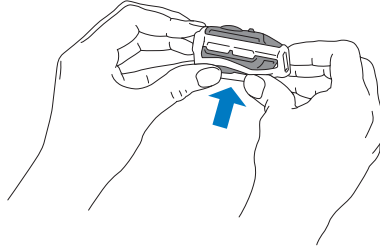
Every time a Pulse cartridge is deployed, 20–30 small confetti-like AFID tags are ejected. Each AFID tag is printed with the serial number of the cartridge. This revolutionary technology allows TASER to assist law enforcement in arresting criminals who would use our weapons for nefarious purposes.



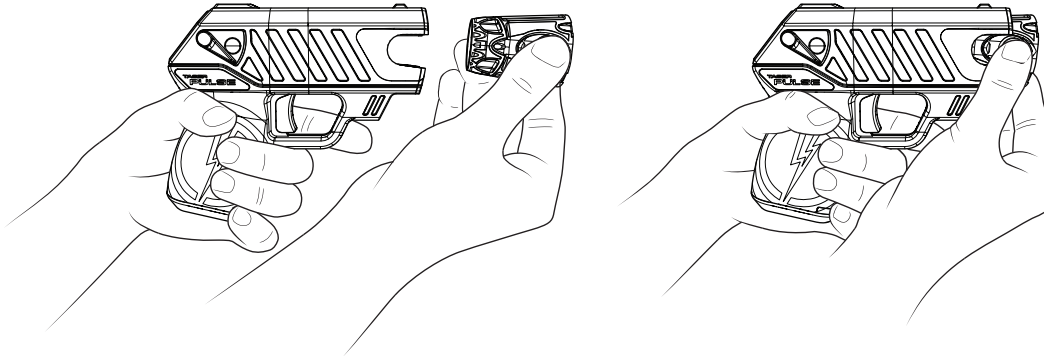
## Load the Pulse Cartridges

Never place your hands, fingers, or any part of your body in front of the cartridge. This is especially important when loading or unloading the cartridge. When loading and unloading, always hold the cartridge on the sides.

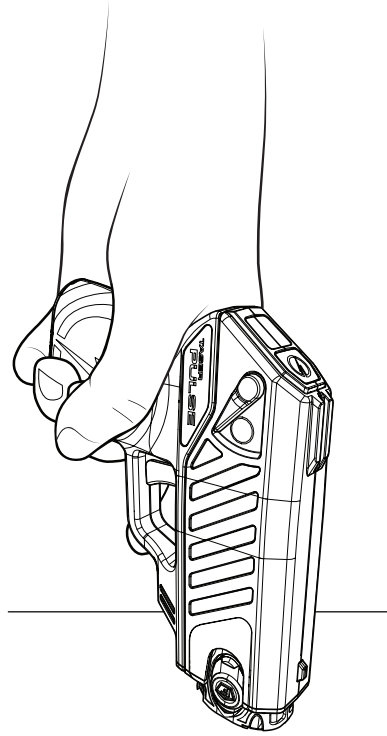
- 1 Point the CEW in a safe direction.
- 2 Ensure that the safety switch is in the down (SAFE) position.
- 3 Remove the cartridge cover.



- 4 Keeping your hand away from the blast doors, place the cartridge into the front of the CEW, until it is approximately 90 percent inserted.



- 5 Gently press the cartridge against a firm, flat surface until it locks into place. Do not slam the CEW against the surface; doing so may damage the cartridge



- 6 Confirm that the cartridge is secure by gently pulling on the sides of the cartridge.

### Unloading Cartridges

The Pulse cartridge is designed to ensure a secure fit when inserted in the Pulse CEW. The placement of the wire bundles behind the insertion tabs aids in providing a secure fit. It may be very difficult to remove a cartridge with the wire in place (that is, when the cartridge has not been deployed). To remove a live cartridge, follow these steps:

- 1 Ensure that the front of the Pulse CEW is pointed in a safe direction.
- 2 Ensure that the safety switch is in the down (SAFE) position. Do not place any part of your hands or other body parts in front of the Pulse CEW.
- 3 Depress both tabs until the cartridge releases. Note that it might take two hands to depress the tabs.
- 4 Re-install the clear cartridge cover on the cartridge.

Removal of an expended cartridge does not require as much force because the wires are no longer behind the tabs.

The cartridges for the Pulse CEW are specifically designed so there is no “up” or “down” position – enabling you to quickly reload one in a stressful situation without worrying about putting it in upside down.

### Practicing with the Pulse CEW

TASER recommends practicing with your Pulse CEW to become familiar with its functions and how it deploys.

Be aware of your surroundings when deciding where to place your training target. Ensure that the target has a firm backing (for example, cardboard or a foam board) that will allow the probes to stick and not bounce off and strike an unintended person or object. Do not use a wooden backing. Do not place the target anywhere a probe that misses or penetrates the target could cause damage or injury.

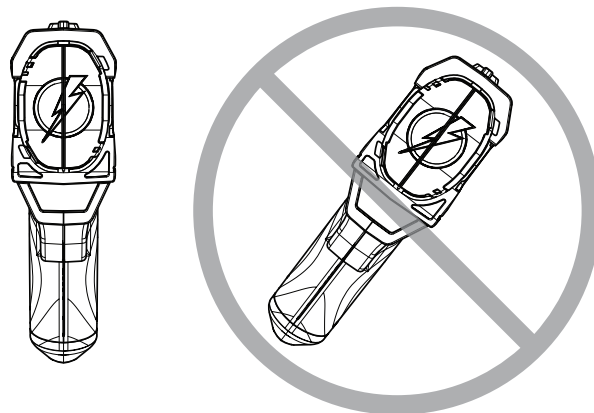
Do not discharge Pulse cartridges without using a target. Probes that do not strike a target may recoil back at you. We recommend using TASER conductive targets available at [buy.taser.com](http://buy.taser.com) and a thick, penetrable backing.

Training cartridges with blue blast doors and non-conductive wire are available for purchase through TASER International, but standard cartridges can be used with the conductive targets so that the sparking effect may be seen.

**Safety first! Always treat your Pulse CEW as if it were loaded.**

- Never put your hands or other body parts in front of the CEW, especially when changing the cartridges.
- Do not inadvertently point any cartridges at yourself or at anyone when loading.
- Cartridge covers must be removed prior to attempting to load.
  - 1 Point your Pulse CEW in a safe direction; load the blue Pulse simulation cartridge as described in the section in this manual while keeping your fingers away from the blast doors.
  - 2 Point your Pulse CEW towards the training target and shift the safety switch to the up (ARMED) position.
  - 3 Aim your Pulse CEW at the training target; keep in mind that the LASER is within 2 to 3 inches (5 to 7.6 centimeters) of the point of impact for the top probe. Aim at the target's center of mass – to improve the accuracy of the bottom probe, avoid canting or tilting the CEW.
  - 4 Remember that the bottom probe comes out at an 8-degree downward angle. The bottom probe will drop 1 foot (0.3 m) below the top probe for every 7 feet (2.1 m) that it travels away from the CEW. Stand about 10 feet (3 m) from your target. This will result in a probe spread of about 18 inches (0.46 m). Place the LASER high enough on the target so the bottom probe will hit the target.
  - 5 Press the trigger switch once to discharge the blue Pulse simulation cartridge and activate the 30-second cycle. Remember that you can discontinue the discharge at any time by shifting the safety switch to the down (SAFE) position.
  - 6 After the TASER discharge cycle ends, and the safety switch is in the down (SAFE) position, unload the expended blue Pulse simulation cartridge as described in the *Unloading Cartridges* section of this manual.

## Aiming and Probe Placement



For most deployments, hold the CEW level. Do not tilt the CEW unless it is necessary to align the CEW with the attacker.

Normally, aim the LASER at one of the large muscle groups (center of mass) such as the torso or thigh areas, etc.

**Avoid head, face, throat, chest, or groin exposure unless your safety or the situation dictates otherwise.**

The top probe impacts the target near the LASER beam; however, the probe impact distance from the LASER beam can vary depending on numerous factors, including, but not limited to the distance, movement of the user or

attacker, and environmental factors.

Be sure not to fire at a subject who is more than 15 feet or 4.6 meters away (measure 15 feet or 4.6 meters to see how far this is – it will probably be further than you think). If you do deploy at someone more than 15 feet or 4.6 meters away, the probes will not have sufficient wire to reach them and may recoil back at you.

## Using the Pulse CEW

The Pulse CEW is a serious, state-of-the-art defensive weapon and should be treated accordingly. Although the CEW is designed to be as nonviolent as possible in stopping a combatant, its use can result in injuries, including but not limited to, a probe embedded in an eye or secondary injuries related to falling.

For a full list of warnings, see [www.TASER.com](http://www.TASER.com).

The CEW is to be used only for lawful purposes, including lawful self-defense or in the defense of others. Check your state and local laws for applicable regulations. Depending on local and state laws, the Pulse CEW may be kept in the house for home protection, or carried in a car, purse, or backpack for personal protection when away from home. Be sure to research each state's applicable laws prior to possessing or transporting the CEW (including the transporting of the CEW across state lines and into other states where laws may vary). For a list of known laws related to CEWs, go to [www.TASER.com](http://www.TASER.com).

A CEW is not a substitute for other preventive self-protection actions such as ensuring doors are locked, and parking in well-lighted areas.

## Deployment Instructions for Self-Defense

**DO NOT use simulation (blue) cartridges for self-defense. A simulation cartridge will have no NMI effect on an attacker.**

- 1 Remove the Pulse CEW from its holster and ensure that the Pulse cartridge is installed.
- 2 If a person approaches in a suspicious or threatening manner, move the safety switch to the up (ARMED) position.
- 3 Aim the LASER beam at the attacker's body. Avoid intentionally aiming at a sensitive body location such as the head, face, throat, chest, or groin.
- 4 Shout verbal commands to "get away," if feasible. It is possible that the person will flee based on the verbal commands and LASER.
- 5 If you determine that you need to deploy the Pulse CEW in self-defense, ensure that you are within 15 feet (4.6 meters) of the attacker.
- 6 Press the trigger switch.
- 7 The TASER Safe Escape: Immediately put the Pulse down and escape to safety. The TASER Pulse CEW is unlike most weapons in that it is built for you to escape to safety. After connecting with the target, the Pulse will continue to administer electricity for 30 seconds (and if used properly NMI will continue for 30 seconds) regardless of whether you are still holding the weapon. Therefore, put the Pulse on the ground and run to safety, grab your children, call police, or do whatever you need to do to ensure your safety with the 30 seconds the TASER Pulse CEW has given you.
- 8 As soon as it is safe to do so, call 911 and report the specific location of the threat.
- 9 See *TASER Safe Escape*, below, for how to get your TASER CEW replaced for free when used in self-defense and left at the scene.

## “Silence is Golden”

The TASER CEW’s electrical current is relatively quiet when both probes make direct contact with a human or animal and an electrical circuit is completed and maintained. In contrast, an open circuit or some practice conductive targets produce a loud sound when used because the energy is arcing in the air across the Pulse CEW’s fixed electrodes.

If the electrical current is loud during field deployment, and the subject is not reacting as expected, the current may be shorting out and may not be effective. Deploy a second cartridge or consider other options in that situation.

## Potential Causes of Reduced or No Effectiveness

- **Loose or Thick Clothing.** If the probes lodge in clothing and are too far away from the attacker, CEW effectiveness is reduced and can be eliminated.
- **Miss or Single Probe Hit.** The electrical current must pass between the two probes in a completed and maintained circuit. If one probe misses, reload with a second cartridge and deploy it if practical. Also, using the Pulse CEW in the drive-stun mode as described below may also complete the circuit between the single probe and the CEW electrode. You may also consider upgrading to the TASER X2 Professional Series (available on [buy.taser.com](http://buy.taser.com)), a two-shot device which fires a second cartridge immediately with a second trigger pull.
- **Low Nerve or Muscle Mass.** If the probes impact in an area where there is very little muscle mass (e.g., the side of the rib cage), the effectiveness can be significantly diminished.
- **Limited Probe Spread.** Small probe spreads (including drive-stun) result in little or no effect from NMI. They will however still function as a pain-compliance device.
- **Wires Break.** If a wire breaks (e.g., during a struggle), the current will not flow to the probes. Drive-stun may still be available.

## What if I Miss?

The LASER sight is an extremely valuable aid for proper aiming. However, there is always the chance for a missed shot, especially in a dynamic, stressful situation, and you must be prepared to take alternative actions to protect yourself in case of a missed shot or reduced effectiveness. In the event that you shoot and miss, you can also use your Pulse CEW as a direct contact stun (drive-stun) device, which is designed for pain compliance.

## TASER Safe Escape

Do not hesitate to place the Pulse CEW on the ground and leave it at the scene of the attempted assault. At TASER, we value your life more than a piece of plastic and metal. If you successfully deploy your TASER Pulse CEW to defend yourself, leave it at the scene and take advantage of the 30 seconds to escape.

TASER International will replace the TASER Bolt, C2, X26C, M26C, Pulse, X2, or X26P CEW free of charge, with the same product or a like product, at TASER International’s option, if the Purchaser provides, within one year following the event, the following information to TASER International, 17800 North 85th Street, Scottsdale, Arizona 85255 Attn: Customer Service:

- a copy of the official police report documenting the incident and the loss of the product;
- proof of purchase of the product (receipt, purchase order, or invoice);
- check or a credit authorization for the shipping and handling fees; and
- purchaser’s name, physical address (no PO Boxes allowed), and phone number of where to send the replaced item.

Purchaser is responsible for any expedited shipping or handling costs for the replacement CEW. A replacement product assumes the remaining warranty of the original product or 90 days from the date of replacement, whichever provides longer coverage to the Purchaser.



TASER Safe Escape is not available or applicable: (a) on any international (Non-United States) sales or uses of TASER Citizen Products; or (b) to any Purchaser who uses the CEW for a commercial purpose.

### Contact Stun (Drive-Stun) Backup

Contact stun (also known as drive-stun) is the use of the TASER Pulse CEW as a stun gun, rather than by firing darts. You can contact stun either with an already fired cartridge or without a cartridge installed. Probe deployment is usually considered more desirable if incapacitation is the desired objective, even at close range, because the drive-stun is only a pain-compliance use.

When using the drive-stun, push the trigger switch and push (drive) the front of the CEW firmly against the body of the attacker. Simply “touching” the Pulse CEW against the person is not sufficient to achieve neuro muscular incapacitation. The subject is likely to recoil from the painful shock and try to get away from the stun electrodes. If the drive-stun is not effective, evaluate the location of the drive-stun and consider an additional cycle to a different pressure point

# Chapter 4: Maintenance and Care

## General Concepts

The Pulse CEW is a sensitive piece of electronic equipment, and should be handled with care. Avoid dropping a Pulse CEW. Do not use a Pulse CEW that has a cracked handle.

- Check the battery regularly by confirming the LED on the back of the CEW is green. See *Power Supply* (Chapter 3) for more information.
- Perform a function test regularly.
- Check the expiration of the Pulse cartridges (the five-year expiration is listed on the base of the cartridge). Do not use an expired Pulse cartridge.
- Secure the Pulse CEW in the protective cover when not in use.
- Avoid exposing the Pulse CEW to excessive moisture or water.
- See the troubleshooting guide at [buy.taser.com](http://buy.taser.com) for additional instructions.

## Function Test

A function test should be conducted every 30–60 days. The reasons for the function test include:

- To verify the Pulse CEW is working.
- To verify that the battery is in good condition.

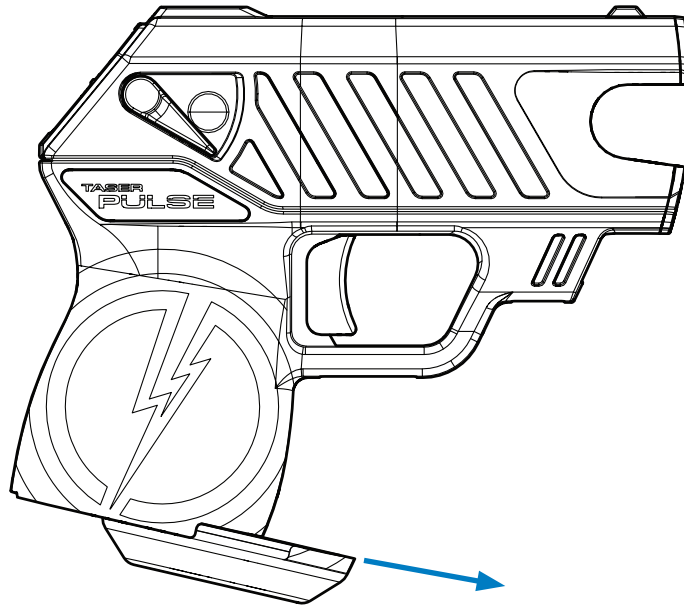
To perform a function test:

- 1 Ensure that the safety switch is in the down (SAFE) position.
- 2 Safely unload the Pulse cartridge. See *Unloading Cartridges* (Chapter 3) for more information.
- 3 Point the CEW in a safe direction (such as the floor) and ensure that your fingers and no part of your body are in front of the CEW.
- 4 Shift the safety switch to the up (ARMED) position.
- 5 Press the trigger and confirm sparking across the electrodes at a rapid rate. You do not need to function test the CEW for the full 30 seconds.
- 6 Shift the safety switch to the down (SAFE) position.

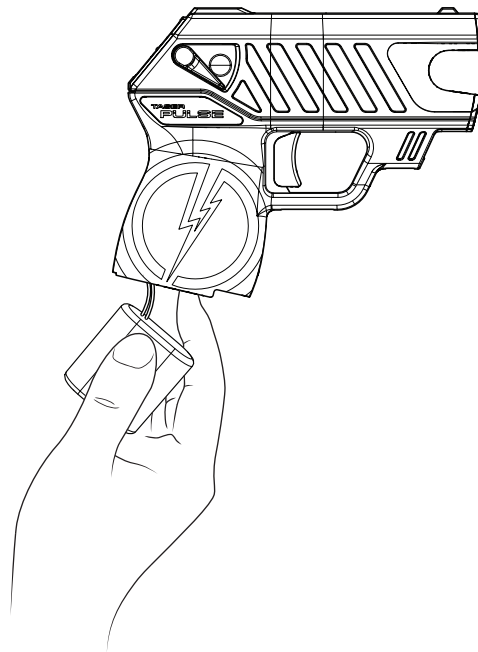
## Changing the Battery

To install or change the battery:

- 1 Shift the safety switch to the down (SAFE) position.
- 2 Safely remove the Pulse cartridge.
- 3 Slide the battery cap out.



- 4 Place your finger on the wires above the connectors. Hold the wires against the battery well

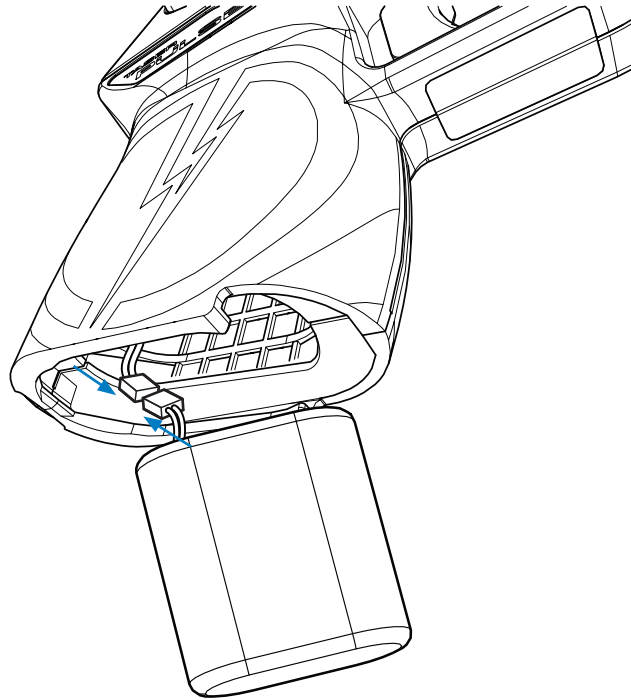


- 5 Pull the battery downward to disconnect it from the wires in the battery well.

**Note:** Do not yank on the battery. Pressing the wires against the battery well should make it easier to dis-

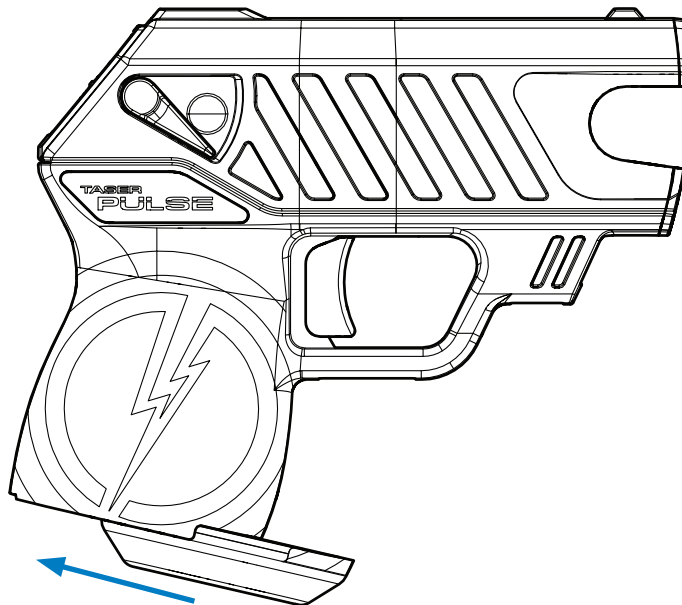
connect the battery.

- 6 Plug the wires from the new battery into the wires in the battery well.



The connectors make a click when they fit together.

- 7 Push the battery into the battery well.
- 8 Slide the battery cap back into place.



## Chapter 5: Ownership

Do not point the CEW at any law enforcement officer or do anything that would cause law enforcement officers to feel threatened by your use of the CEW. Because the TASER CEW is able to incapacitate a person, law enforcement officers may be justified to use lethal force to protect themselves.

Although the Pulse CEW incorporates yellow components to distinguish it as a non-firearm, it could be mistaken for a firearm. Take appropriate care in carrying and displaying the Pulse CEW. Do not modify the Pulse CEW or do anything to the CEW to make it look like a firearm.

Do not give a TASER CEW away as a gift or sell it without completing the transfer notice at <http://communities.taser.com>. For more information, see *Legality* (Chapter 6).

Taking a TASER-brand CEW into a state or municipality where CEWs are prohibited (see Chapter 6 *Additional Items* for a current list) or out of the United States (US) without the proper export license is prohibited by law (similar prohibitions may exist in other countries).

**DO NOT** carry a TASER CEW, TASER CEW battery or battery pack (which contains lithium), or cartridge on a commercial aircraft. According to the 2012 IATA Dangerous Goods Regulations for commercial airplanes, TASER CEWs, battery packs, and cartridges ARE NOT ALLOWED on your person, in your carry-on baggage, or in your checked baggage aboard commercial aircraft. Please check with the TSA for the most recent regulations.

It is recommended that you carry the Pulse CEW only in a manufacturer approved holster or carrying case. Do not carry uncovered Pulse cartridges in your pockets as they can be fired by electrostatic discharge (static electricity).

# Chapter 6: Additional Items

## TASER Online Troubleshooting Guide

A troubleshooting guide is available by visiting [buy.taser.com](http://buy.taser.com). If you need product support on accessories or have any other questions, please contact consumer customer service at:

[team@taser.com](mailto:team@taser.com)

+1.800.978.2737

To return a TASER product for service, first follow the procedures at [buy.taser.com](http://buy.taser.com).

**If the TASER CEW has been exposed to bodily fluids or other biohazards, contact TASER's service department at +1.800.978.2737 or +1.480.905.2000 for specific instructions BEFORE returning the weapon.**

## Legality

The Bureau of Alcohol, Tobacco, Firearms, and Explosives has classified our TASER CEWs as non-firearms because they use compressed gas (inert nitrogen), rather than explosives to launch the projectiles. Because TASER CEWs are not firearms, they may be carried without a permit in certain jurisdictions (check state and local laws for permit requirements in your area). Currently the TASER CEW is restricted from possession by citizen users in the following states: Hawaii, Massachusetts, New Jersey, New York, Rhode Island, Washington DC, and certain cities and counties. Check our website at [www.TASER.com](http://www.TASER.com) for a list of known state and local laws concerning TASER CEWs. Because state and local laws may change frequently, be sure to research the applicable laws in your area prior to using, possessing or transporting the CEW.

## Warranty

Please see the product warranty which came with your CEW. TASER's current product warranties are also available on [www.TASER.com](http://www.TASER.com).

## Warnings

See the current product warnings that came with your CEW, for more information about your TASER product. TASER's current product warnings are also available on [www.TASER.com](http://www.TASER.com)



C2, M26C, X2, X26C, X26P, TASER, TASER Bolt, TASER Pulse, , and  are trademarks of TASER International, Inc., some of which are registered in the US. For more information visit [www.TASER.com/legal](http://www.TASER.com/legal). All rights reserved. © 2015, TASER International, Inc.

MMU0062 Rev: A